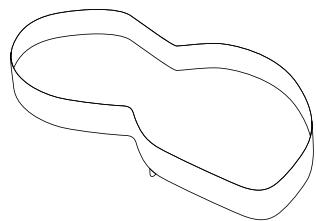
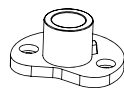


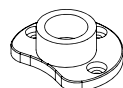
1 COMPONENTS



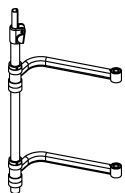
A 2PCS



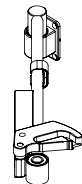
E 1PCS



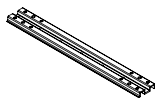
F 1PCS



G 1PCS



H 2PCS



I 1PCS



J 4PCS



O 1PCS



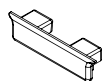
K 8PCS
(M5*10)



L 4PCS
(6*16)



M 15PCS
(ST4*14)

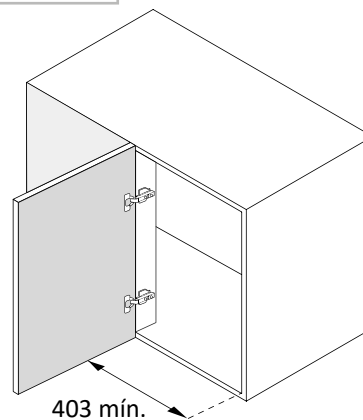


N 1PCS

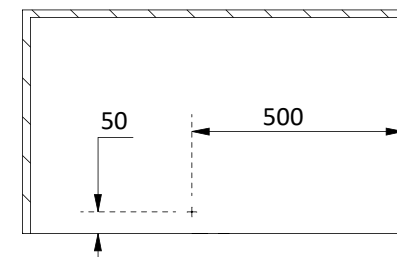
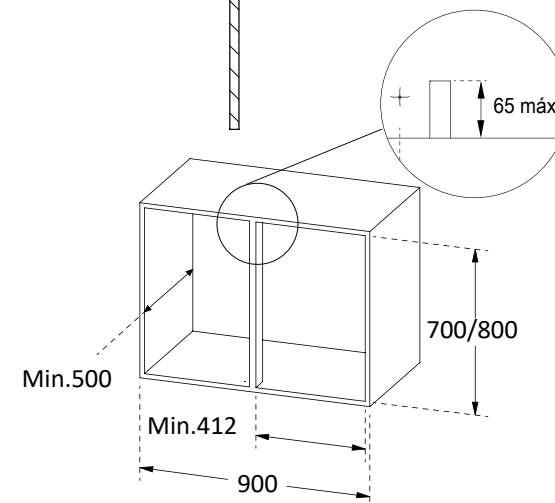
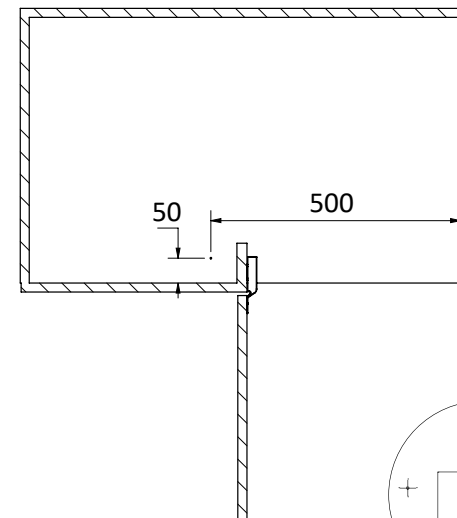
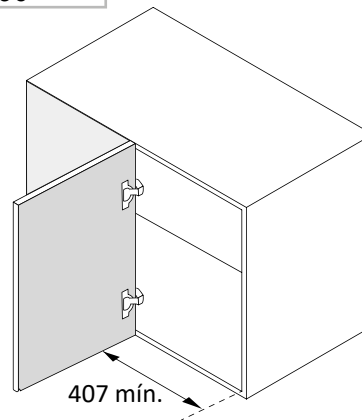
2 INSTALLATION

1 PRE DRILLING ON CABINET

HINGE
110°

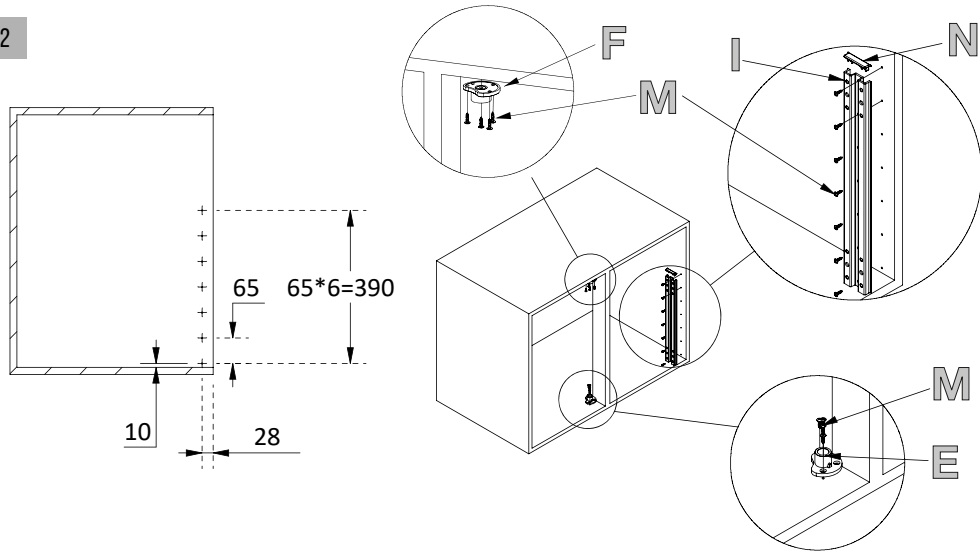


HINGE
90°

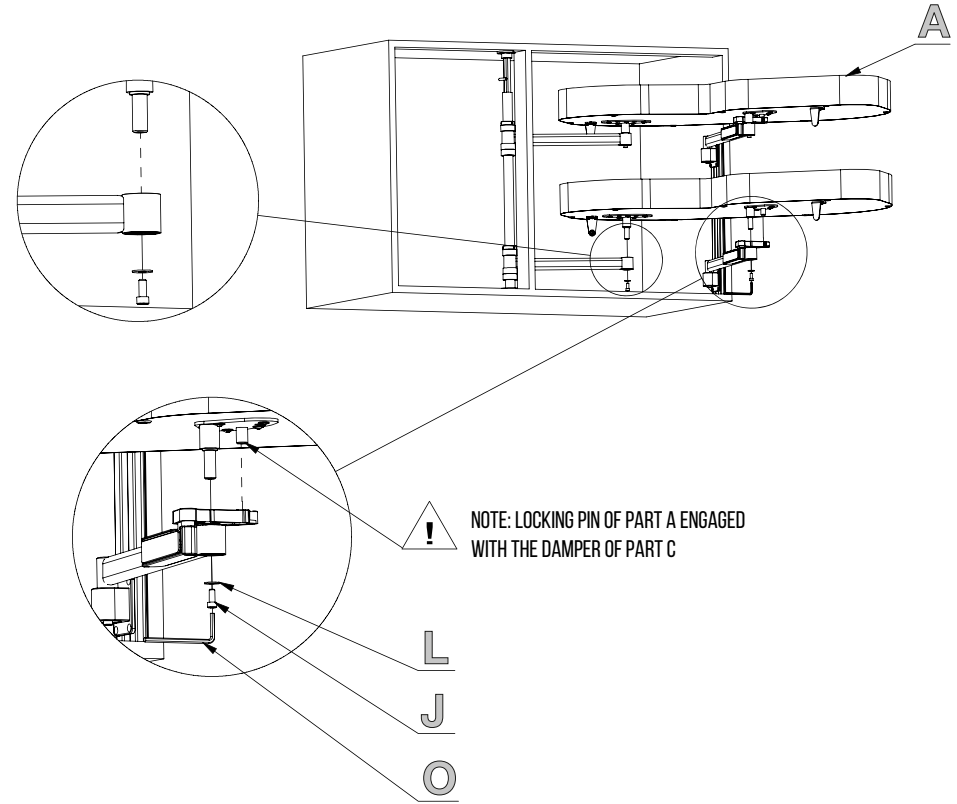


INSTALLATION

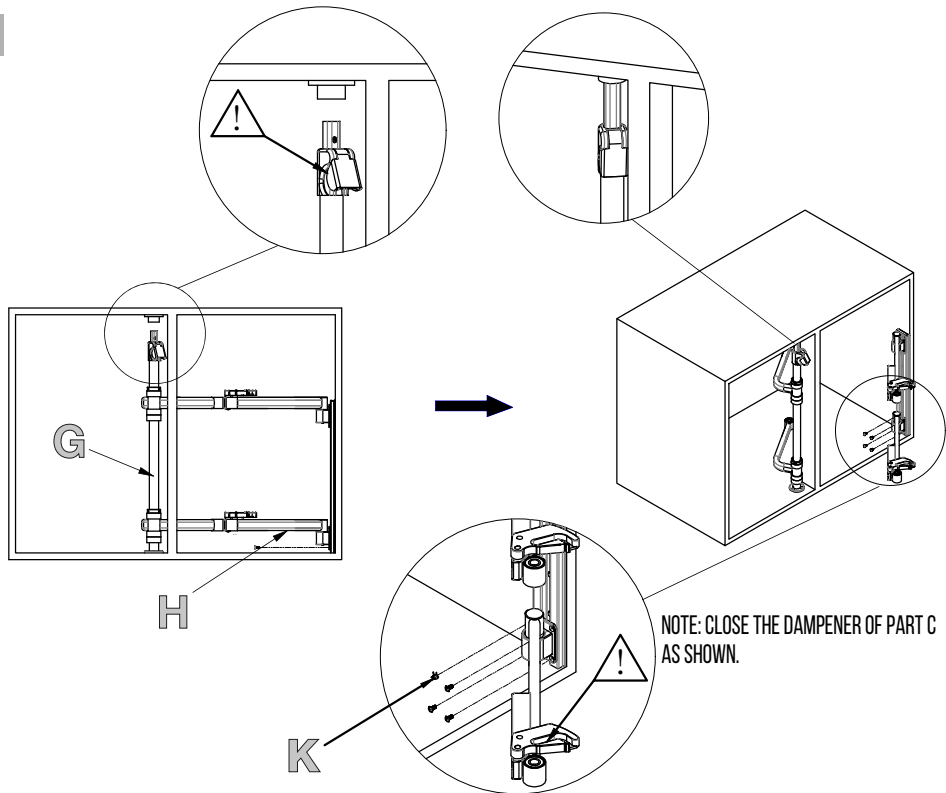
2



4



3



5

